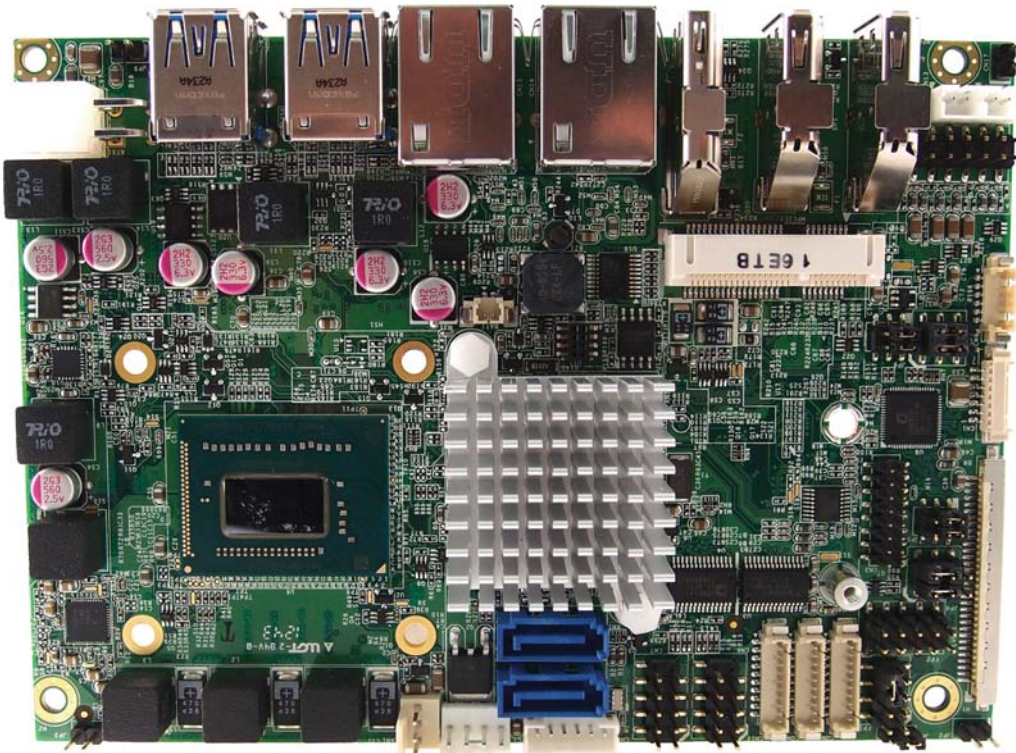


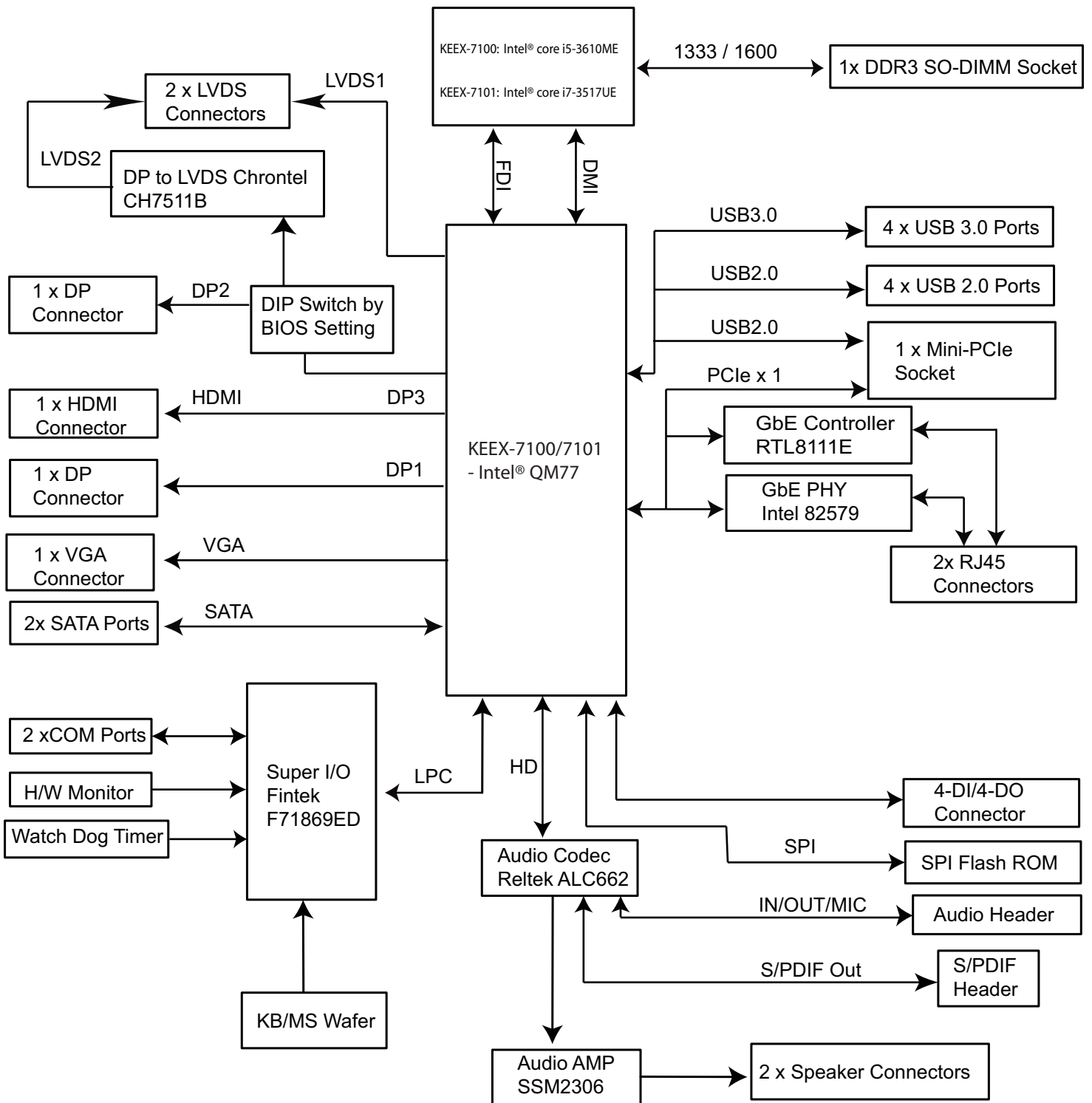
# KEEX-7100 Series

Intel® Embedded Compact Extended Form Factor  
with 3rd generation Intel® core i5/i7 processor



- KEEX-7100: Intel® core i5-3610ME + QM77 Express Chipset
- KEEX-7101: Intel® core i7-3517UE + QM77 Express Chipset
- 1x SO-DIMM DDR3 supported
- 2x DP, 2x Dual Channel 24-bit LVDS, 1x VGA, 1x HDMI
- 2x SATA, 1x mSATA (Optional)
- 2x GbE, 4x USB3.0, 4x USB 2.0, S/PDIF, and 2x COM
- 1x mini-PCIe Socket (SIM card support)
- 8-bit Digital I/O supported (4-bit input/4-bit output)
- Watchdog Timer, Hardware Monitor, TPM (Optional)

**Block Diagram**



## Technical Information

<b>CPU Support</b>	KEEX-7100 : Intel® Core i5-3610ME processors KEEX-7101 : Intel® Core i7-3517UE processors
<b>Chipset</b>	Intel® QM77 Express Chipset
<b>Memory</b>	1x DDR3 SO-DIMM supported
<b>BIOS</b>	AMI uEFI BIOS 1x 64Mb SPI Flash ROM
<b>Display</b>	1x VGA 1x HDMI 2x DP Connectors 2x Dual channel 24-bit LVDS * Switch DP2 to LVDS2 by BIOS setting. ( BIOS Default : DP2 )
<b>Peripheral Support</b>	2x SATA connectors supported 1x mSATA Socket ( Optional) 4x USB 2.0 ( 2x headers supported) 4x USB 3.0 type A Connectors 2x COM ( RS-232/422/485 for COM 1, RS-232 for COM 2) 1x PS/2 Keyboard and Mouse 1x DIO (4-bit in and 4-bit out)
<b>TPM</b>	TPM supported ( Optional)
<b>LAN</b>	2x RJ-45 Connectors for Dual GbE LAN

<b>Audio</b>	1x header for Line-In, Line-Out and Mic-In 1x header for S/PDIF 2x Wafers for 2W Speaker
<b>Power Connector</b>	1x +12VDC Power Input 1x +12VDC & +5VDC HDD Power output ATX/ AT Mode Supported
<b>Expansion</b>	1x mini-PCIe socket 1x wafer for SIM card support
<b>Cooling</b>	1x 12VDC FAN support with speed control
<b>Watchdog Timer</b>	Programable WDT to generate System reset event
<b>Hardware Monitor</b>	Voltage and System temperature monitoring
<b>OS Supported</b>	Windows 7 / Windows 8
<b>Dimensions</b>	Intel® ECX Form Factor (105 x 146 x 1.5 mm)
<b>Environmental Factors</b>	Operation Temp: 0°C - 60°C Storage Temp.: -20°C - 80°C Humidity: 0% - 95%
<b>RTC</b>	Pather Point intergrated RTC
<b>Certifications</b>	CE, FCC Class A

## KEEX-7100 Series I/Os

